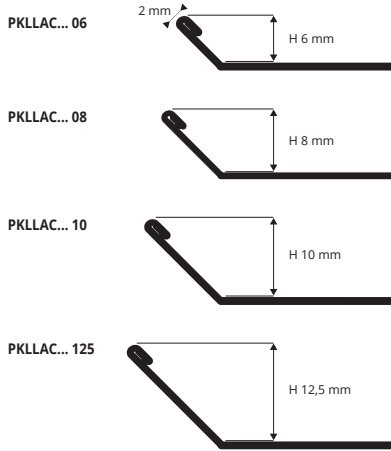


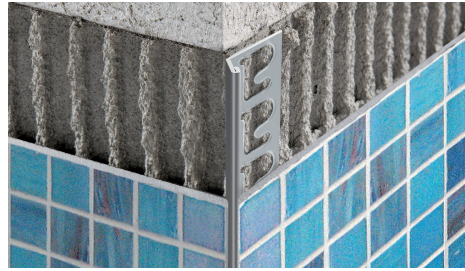
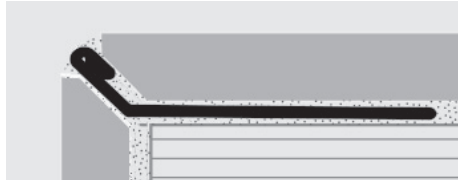
PROKERLAM LINE

POLISHED AND SATIN FINISH STAINLESS STEEL
AISI 304/1.4301-V2A

PROKERLAM LINE is a profile in polished and satin finish stainless steel AISI 304/1.4301-V2A suitable to protect the external corners of coverings in low thickness. It can be used like connection profile between step tread and riser of stairs coated with ceramic and mosaic with low thickness. Its particular section and the availability in three different heights and finishes and special pieces such as internal and external corners, end caps and joints make **PROKERLAM LINE** a much sought-after profile that allows a workmanlike application even with low thickness coverings.



LAYING INSTRUCTIONS



POLISHED STAINLESS ST. AISI 304/1.4301-V2A with protective film
Bar length 2,7 lm - Pack 40 PCS - 108 lm

Article	H mm
PKLLAC 06	6
PKLLAC 08	8
PKLLAC 10	10
PKLLAC 125	12,5

1. Choose "PROKERLAM LINE" according to the desired finish.
2. Cut "PROKERLAM LINE" to the desired length and apply the adhesive on the support where the profile will be laid.
3. Press the anchoring flange of "PROKERLAM LINE" into the adhesive.
4. Lay the tiles, aligning them with the profile leaving a 2 mm joint. Remove immediately all remains of adhesive from the surface of the profile.
5. Fill the joints between the profile and the tiles with grout, in order to avoid water stagnation. Remove immediately all the remains of grout from the surface of the profile.



SATIN FINISH STAINLESS ST. AISI 304/1.4301-V2A with protective film
Bar length 2,7 lm - Pack 40 PCS - 108 lm

Article	H mm
PKLLACS 06	6
PKLLACS 08	8
PKLLACS 10	10
PKLLACS 125	12,5

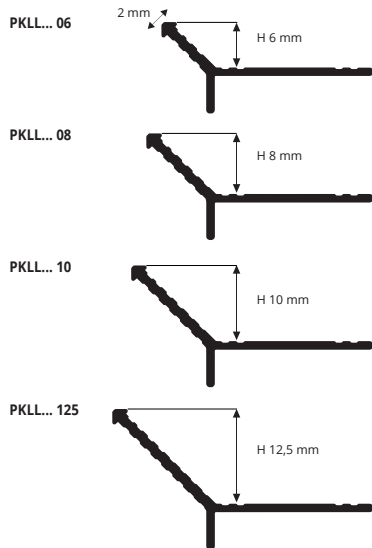
COLOURS



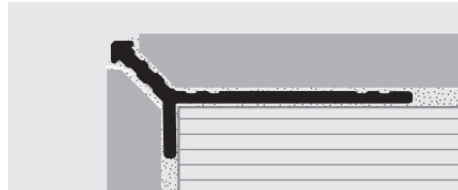
PROKERLAM LINE

ANODIZED, VARNISHED AND STONE LINE ALUMINIUM

PROKERLAM LINE is a Y-shaped profile in anodized and polished aluminium suitable to protect the external corners of coverings in low thickness. It can be used like connection profile between step tread and riser of stairs coated with ceramic and mosaic with low thickness. Its particular section and the availability in three different heights and finishes and special pieces such as internal and external corners, end caps and joints make **PROKERLAM LINE** a much sought-after profile that allows a workmanlike application even with low thickness coverings.



LAYING INSTRUCTIONS



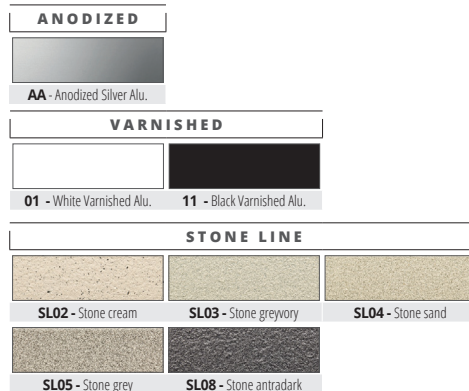
1. Choose "PROKERLAM LINE" according to the desired finish.
2. Cut "PROKERLAM LINE" to the desired length and apply the adhesive on the support where the profile will be laid.
3. Press the anchoring flange of "PROKERLAM LINE" into the adhesive.
4. Lay the tiles, aligning them with the profile leaving a 2 mm joint. Remove immediately all remains of adhesive from the surface of the profile.
5. Fill the joints between the profile and the tiles with grout, in order to avoid water stagnation. Remove immediately all the remains of grout from the surface of the profile.



ANODISED SILVER ALUMINIUM thermo packed
Bar length 2,7 lm - Pack 40 PCS - 108 lm

Article	H mm
PKLLAA 06	6
PKLLAA 08	8
PKLLAA 10	10
PKLLAA 125	12,5

COLOURS



VARNISHED ALUMINIUM (White-Black) thermo packed
Bar length 2,7 lm - Pack 40 PCS - 108 lm

Article	H mm
PKLLA 06-01	6
PKLLA 06-11	6
PKLLA 08-01	8
PKLLA 08-11	8
PKLLA 10-01	10
PKLLA 10-11	10
PKLLA 125-01	12,5
PKLLA 125-11	12,5

STONE LINE ALUMINIUM thermo packed
Bar length 2,7 lm - Pack 40 PCS - 108 lm

Article	H mm
PKLLA 06-SL...	6
PKLLA 08-SL...	8
PKLLA 10-SL...	10
PKLLA 125-SL...	12,5

The code of the selected colour must be added to the article code. E.g.: PKLLA 06-... (chosen colour stone cream) PKLLA 06-SL02.